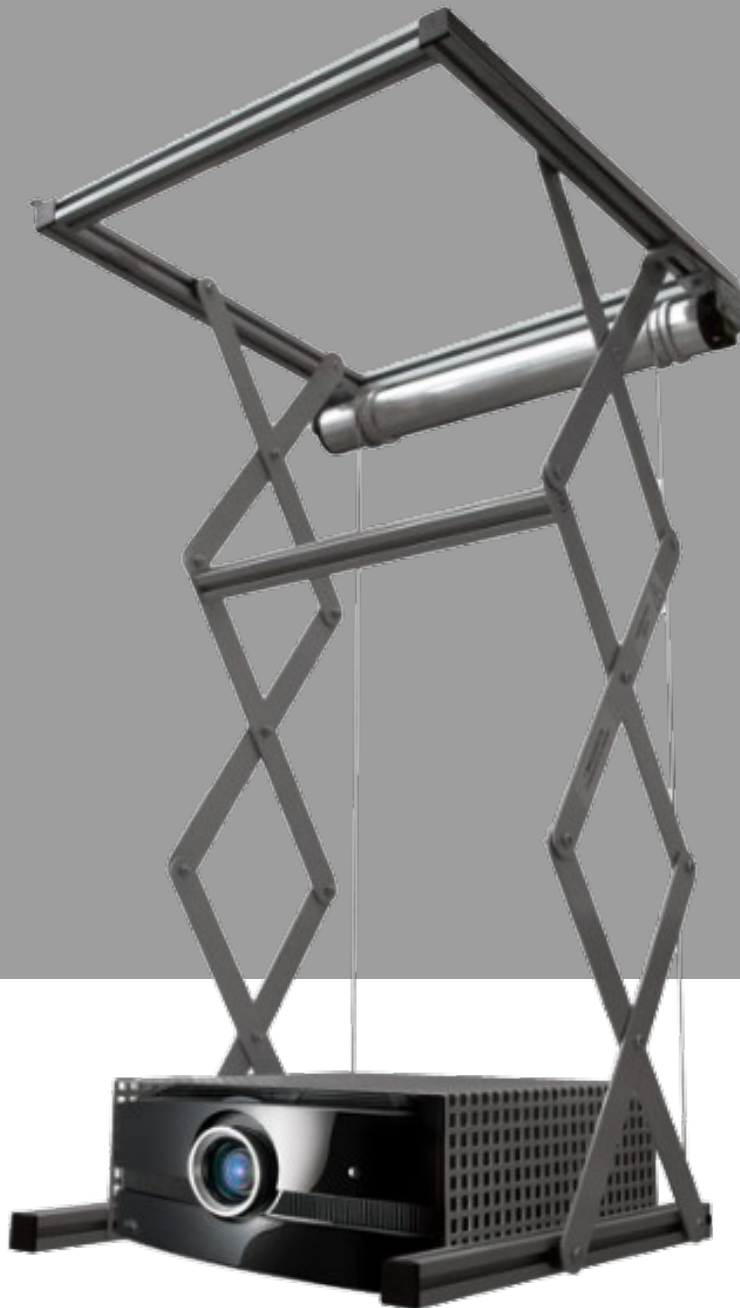


VIDEOLIFT MOTORIZED CEILING BRACKET

Projectionlift



SCREENLINE
the screen makes the difference

GENERAL WARRANTY

The product is guaranteed against any manufacturing flaw for 2 YEARS from the day of purchase.

Should any manufacturing flaw occur during this period, the product or its faulty parts will be repaired under the terms and conditions below at our Assistance Centre with no charge for the cost of the work and the spare parts.

Conditions:

The appliances must be forwarded at the customer's expenses (also during the warranty) and will be returned free of charge .

The warranty is only valid if the flawed product is given back along with the copy of the original sales invoice.

The warranty does not cover costs and/or damage and/or flaws due to modifications to the product made without written authorization.

The warranty does not apply if the name of the model or the serial number present on the product have been modified, deleted, removed or made unreadable.

The warranty does not apply to:

- a. Regular maintenance and repairs or replacement of parts subject to wear and tear.
- b. Damage due to:
 - [Inappropriate use or incorrect installation of the product.
 - [Repairs carried out by non authorized personnel or by the customers themselves.
 - [Accidental events, lightning, floods, fires, inadequate ventilation, or any other cause not attributable to the manufacturer.
 - [Flaws of the equipment or the appliances to which the product was connected.
 - [Failure of the appliance due to lack of regular maintenance.

We thank you for choosing our products and are at your disposal for any further information.

PROJECTIONLIFT motorized ceiling bracket is designed to lift a videoprojector. Thanks to its motor, it is able to quietly move a weight and has an extension which varies according to the model.

By simply adjusting it, the extension can be reduced both when going up and going down.

The appliance comes with a 2.5 m. white PVC power supply cable H05VVF, with 4 connectors with 0.75 sq. mm. section. The cable should be kept in a sheath in accordance with the current regulations, along with a key for calibration.

WARNINGS

- [This appliance complies with the following CEE legislation:
89/336/CEE directive on electromagnetic compatibility modified by 92/31/CEE 93/68/CEE
73/23/CEE directive for low-tension appliances modified by 93/68/CEE
89/392/CEE machinery directive.
- [The bracket is exclusively for indoor usage.
- [It is necessary to protect it from humidity and heat (room-temperature between 0° and 40°).
- [When in operating mode, the temperature of the motor normally rises by a few degrees.
- [In order to avoid unnecessary risk, do not connect the appliance to the electricity supply before the end of the installation.
- [Only clean with a dry, soft cloth. Do not use any chemicals or water.
- [The manufacturer does not take any responsibility for any damage caused to things or people in case of improper usage, incorrect installation, non authorized repairs or negligence.
- [The appliance runs on 230 Volts AC. Never make any adjustments to the motor; improper manipulation can cause dangerous shocks.
- [Connect the appliance earth cable where shown.
- [Repairs must only be carried out by experts.

INSTALLATION OF THE UNIT

- [The installation must be carried out by specialized personnel.
- [Install the ceiling unit in the desired position using the most suitable fixing system for the kind of ceiling.
- [Only connect the unit to the power supply when the installation is finished.
- [Prepare the holes in the ceiling according to the centre to centre distance of the holes on the L-shaped supports of the motorized bracket.
- [Combine the motorized bracket with the holes in the ceiling and fix it to it.
- [Fix the videoprojector using the holes of the perforated rack positioning it inside and fasten it tightly to the grid.

ELECTRIC CONNECTION

- [NEVER CONNECT TWO OR MORE MOTORS TO THE SAME INVERTER.
- [In order to be regular, the installation must feature an bipolar cut device on top of the circuit, whose contact opening must be at least 3 mm.
- [The wiring must be in compliance with the CEI legislation.

3 conductors + the earth come out of the projector:

- | | |
|----------------|------------|
| [BLUE | > NEUTRAL |
| [BROWN | > TO RAISE |
| [BLACK | > TO LOWER |
| [YELLOW/GREEN | > EARTH |

STROKE ADJUSTMENT

The motorized bracket is already calibrated according to the measurements shown in the specifications. It is still possible to modify the up and down strokes by using the two screws on the head of the motor. The WHITE screw raises the projector, while the YELLOW one lowers it. By rotating the screws towards the sign “+” on the head of the motor, this will be raised more or lowered more, depending on the screw which is being rotated. By rotating the screws in the opposite direction of the sign “+”, the motor will be raised less or lowered less, depending on the screw which is being rotated. However, it is recommended not to go too far from the factory settings.

MAINTENANCE

Before performing any maintenance operation, disconnect the appliance from the power supply (unplug it) using an bipolar switch.

A yearly check is recommended in order to verify:

- [the proper fastening of the bracket;
- [the integrity of the lifting cables and the power supply cable;
- [that the joints and the sliding rails on both sides of the structure are properly greased.

SPECIFICATIONS

The technical characteristics are found in the attachment (see models on page 6/7/8).

USER INFORMATION

As per Art.13 of the Legislative Decree of 25th July 2005 no.151, implementation of 2002/95/CE, 2002/96/CE and 2003/108/CE directives concerning the reduction the use of harmful substances in electric and electronic appliances, as well as the waste disposal, please note the following recommendations:

The symbol of a barred rubbish bin present on the appliance and on its package indicates that, at the end of its life, the product must be disposed of separately from the other garbage.

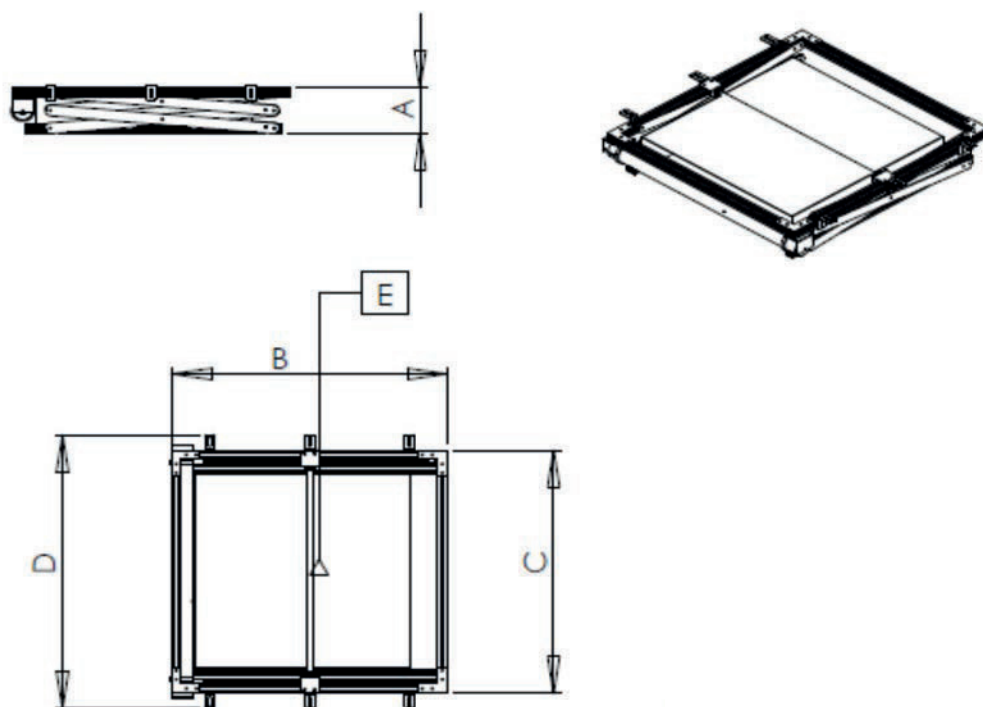
The separated collection of this appliance, when not in use any more, is organized and managed by the manufacturer. The users who want to get rid of their appliances must contact the producer and follow the procedure adopted by them.

The adequate separate collection for the recycling of this appliance in an environment compatible disposal procedure helps prevent harmful effects on the environment and health and promotes the reuse and/or recycling of the materials it is made of.

The illegal disposal of the product by the user entails the application of administrative sanctions, in compliance with the current legislation.



Projectionlift LARGE 100/200 (30 KG)



	Projectionlift 100	Projectionlift 200
A	25	36
B	95	95
C	85	85
D	95	95
fixing points	6	6

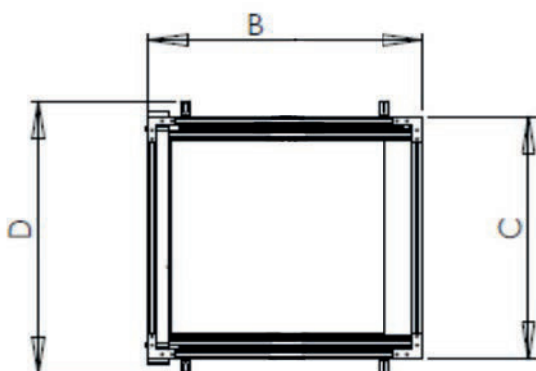
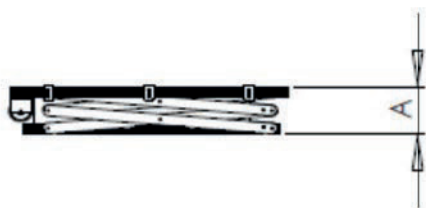
code	closed bracket overall dimensions cm.	projector holder basket size cm.	extension cm.	motor	absorbed power	rated torque	speed	payload Kg.
Projectionlift 100	85x25x95	64x65x18	100	SOMFY	170 W	25 Nm	3 mt. 1'	30
Projectionlift 200	85x36x95	64x65x18	200	SOMFY	170 W	25 Nm	3 mt. 1'	30

Building materials characteristics:

Main frame assembled with extruded aluminium profile with external oxidation treatment;
 zinc-coated project holder metal net basket;
 zinc-coated made pantograph system;
 2 to 4 lifting strand steel cables, according to model and payload.

Optional: cable holder chain – radio-frequency remote control.

PROJECTIONLIFT MEDIUM 100/200(18KG)



	Projectionlift 6-100	Projectionlift 200
A	19	27
B	65,5	65,5
C	71	71
D	81	81
fixing points	6	6

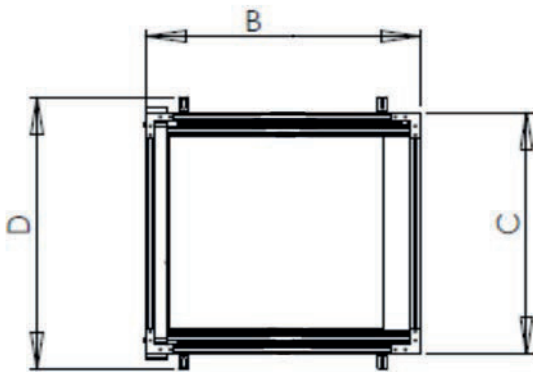
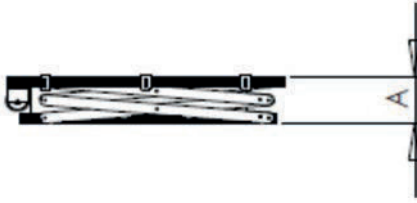
code	closed bracket overall dimensions cm.	projector holder basket size cm.	extension cm.	motor	absorbed power	rated torque	speed	payload Kg.
Projectionlift 100	71x19x65,5	55,5x18x46	100	SOMFY	120 W	10 Nm	3 mt. 1'	18
Projectionlift 200	71x27x65,5	55,5x18x46	200	SOMFY	120 W	10 Nm	3 mt. 1'	18

Building materials characteristics:

Main frame assembled with extruded aluminium profile with external oxidation treatment;
zinc-coated project holder metal net basket;
zinc-coated made pantograph system;
2 to 4 lifting strand steel cables, according to model and payload.

Optional: cable holder chain – radio-frequency remote control.

PROJECTIONLIFT SMALL (15 kg)



	Projectionlift
A	15
B	52
C	51
D	61
Mounting Points	4

code	closed bracket overall dimensions cm.	projector holder basket size cm.	extension cm.	motor	absorbed power	rated torque	speed	payload Kg.
Projectionlift	51x15x52	35x40x13,5	30	SOMFY	90 W	6 Nm	3 mt. 1'	15

Building materials characteristics:

Main frame assembled with extruded aluminium profile with external oxidation treatment;
zinc-coated project holder metal net basket;
zinc-coated made pantograph system;
2 to 4 lifting strand steel cables, according to model and payload.

Optional: cable holder chain – radio-frequency remote control.

PANEL HOLDER KIT ASSEMBLING INSTRUCTIONS

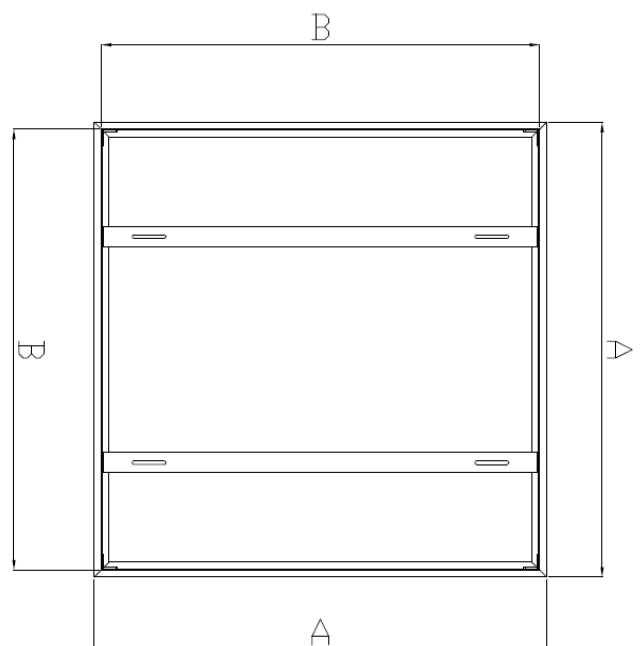
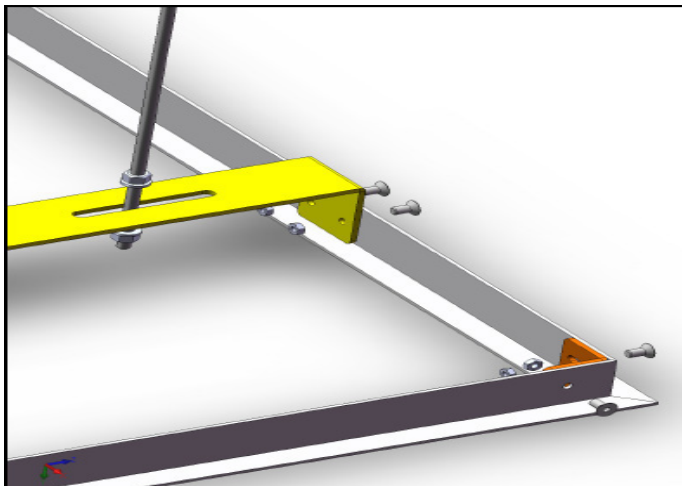
BOX CONTENTS:

- aluminium frame divided in four parts;
- no.2 zinc-coated steel fixing brackets for fixing the threaded bars;
- no.4 zinc-coated corners for the assembling of the aluminium profiles;
- no.4 20 cm. each threaded bars;
- nuts and bolts.

The frame does not include the false ceiling panel. The frame comes in white coated aluminium.

ASSEMBLING SEQUENCE:

- 1) Assemble together the aluminium profiles which will form the panel holder frame using the 4 corners supplied together with the corresponding nuts and bolts (the nuts must be mounted towards the inside of the frame).
- 2) Fix the 2 zinc-coated steel brackets in the dedicated holes of the just assembled frame for the placement of the threaded bars.
- 3) Insert the false ceiling panel inside the frame. You might have to slightly trim it beforehand in order to adapt it to the internal measurements of the panel holder frame.
- 4) Fix the panel holder kit to the Projectionlift motorized bracket.



PROJECTIONLIFT MODEL	HEIGHT A	HEIGHT B
PROJECTIONLIFT SMALL (15 kg)	597	569
PROJECTIONLIFT MEDIUM 100/200(18KG)	898	870
PROJECTIONLIFT LARGE 100/200 (30 KG)	978	950

Heights are expressed in mm.