



# LARGE VENUE

The new BIG range

SCREENLINE  
the screen makes the difference



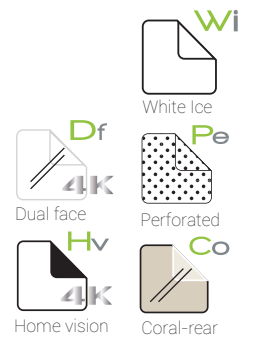


# Maximilian 2.0 Pro

BASE FROM 700 cm ----> **12 m**



Fabrics:



## Key Features

- Motorized screen of "polichinelle" system.
- The wrapping tube goes down thanks to 4 stainless steel belts.
- Stainless steel belts with safety blocks at the two extremities.
- Side motor with motion transmission through rotating axes.
- Black case



## New improved version

- No more junctions: one piece rolling tube
- Lighter -15%
- Double speed 0,50 m/s thanks to the new motor: 70 -120 rpm
- Replaced steel cables with steel belts: quieter and safer.
- New motor with additional safety system. installed on the desired side.
- Control box supplied disconnected (quick plug - in system on board)



## Polichinelle system:

With "Polichinelle" system the wrapping tube goes down to the lower end stroke while unwrapping the projection fabric until it is completely open. The system uses two lateral cables to put the tube in motion. In our screen, the two cables are replaced by two stainless steel belts which, when wrapping up, avoid any possible overlapping or derailment. Compared to the previous versions, Maximilian also features two lateral stainless steel safety cables.

## Easy Installation

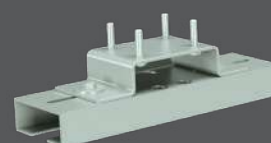
The aluminium supporting beam on top of the screen holds four sliding plates which allow the installation of the screen with clamps and brackets suitable for concrete, steel or wooden beams.



## Brackets



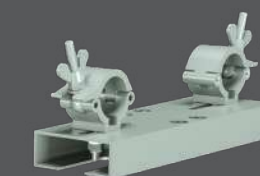
Hoist chains



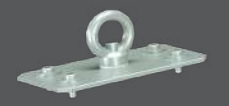
Ceiling mount brackets



High ceiling mount brackets



Truss mount brackets



Eyebolt mount bracket



# Big Lodo Evolution

BASE FROM 700 cm ---> : 11 cm



Fabrics:



# Lodo Evolution Lodo tensioned Evolution

BASE FROM 400 cm ---> 700 cm

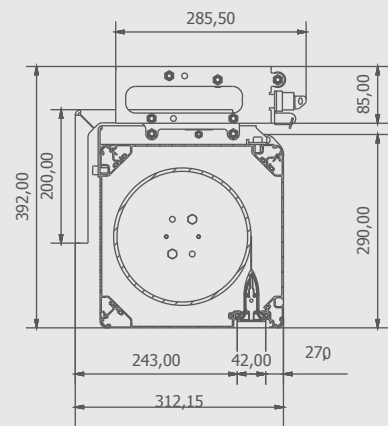


Fabrics:



## Key Features

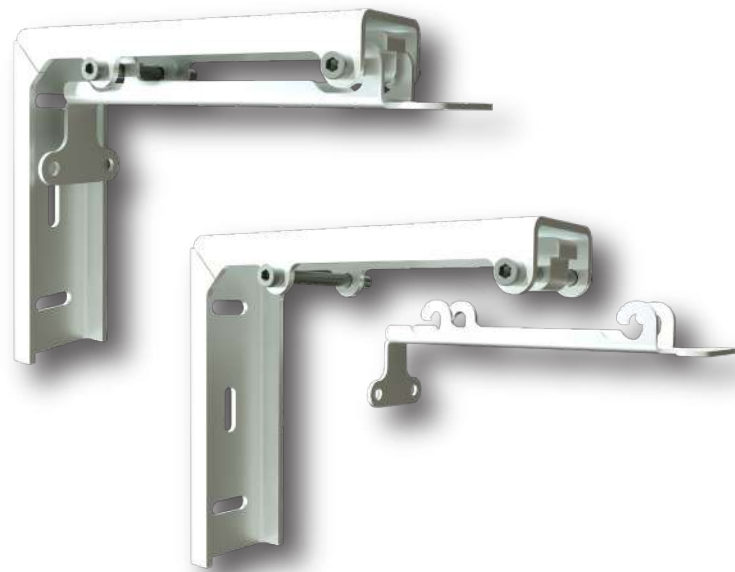
- For Large venues
- Lifting system
- Perfect integration of the counterweight in the box in the long run.
- Anti - droop - fabric.



## Tubular motor:

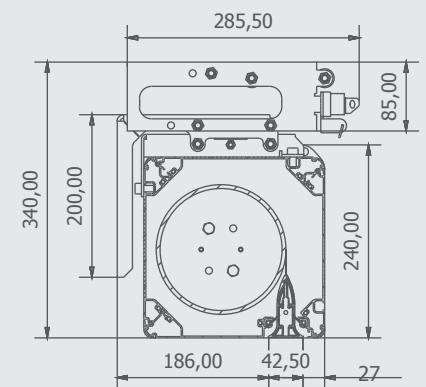
- Smart force measurement.
- Automatic block when counterweight is stuck in.
- Five year limited warranty.
- Limit switches are factory set guaranteeing a long life span.

## Brackets for wall and ceiling installation



## Key Features

- For Large venues
- Lifting system
- Perfect integration of the counterweight in the box in the long run.
- Anti - droop - fabric.



## Tubular motor:

- Smart force measurement.
- Automatic block when counterweight is stuck in.
- **Silent soft brake up to 6 m.**
- A five year limited warranty.
- Limit switches are factory set guaranteeing a long life span.



# Big Lodo Inceiling

BASE FROM 700 cm ---> : 11 cm



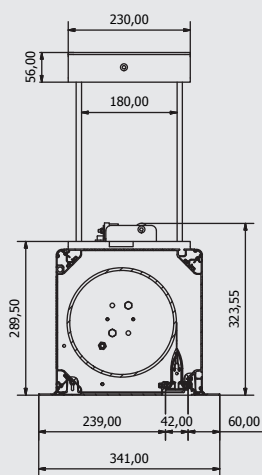
# Lodo Inceiling Lodo Inceiling tensioned

BASE FROM 400 cm ---> 700 cm



## Key Features

- For Large venues
- Perfect integration of the counterweight in the box in the long run.
- Anti - droop - fabric.



## Tubular motor:

- Smart force measurement.
- Automatic block when counterweight stuck in.
- Five year limited warranty.
- Limit switches are factory set guaranteeing a long life span.

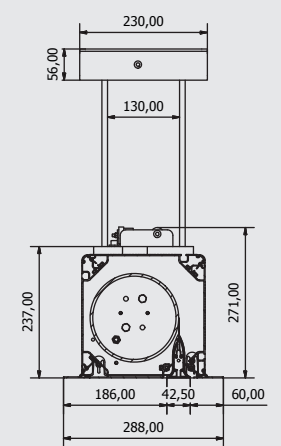
## Neat, fully closed finish.

The weighted bar has a flat base which sits fully flush into the screen case for beautiful aesthetic appearance when the screen is closed.



## Key Features

- For Large venues
- Perfect integration of the counterweight in the box in the long run.
- Anti - droop - fabric.



## Tubular motor:

- Smart force measurement.
- Automatic block when counterweight is stuck in.
- **Silent soft brake up to 6m.**
- Five year limited warranty.
- Limit switches are factory set guaranteeing a long life span.



# New Big Frame

BASE FROM 500 cm ---> **40 m**



**Fast** New frame with arrow borders. Easy installation thanks to the snap-on fabric positioned inside the dedicated groove, replacing the slow installation of the old eyelet frames.

**Smart** 5 fixing grooves allow coping with the stretching and shrinking of the fabric.

**Clean** No more spots or abrasions on the fabric. Now the positioning of the fabric is made side up.

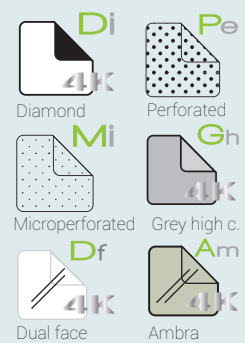
## Key Features

- For large venues
- Easy and fast fabric installation
- Robust frame
- Various positioning accessories
- Extremely versatile in many applications

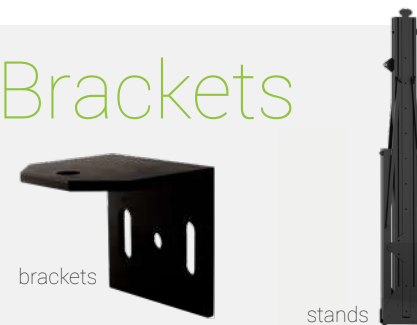
## Fabric Installation



### Fabrics:



## Brackets





# Full vision

New Only White

BASE FROM 200 cm ---> **40 m**



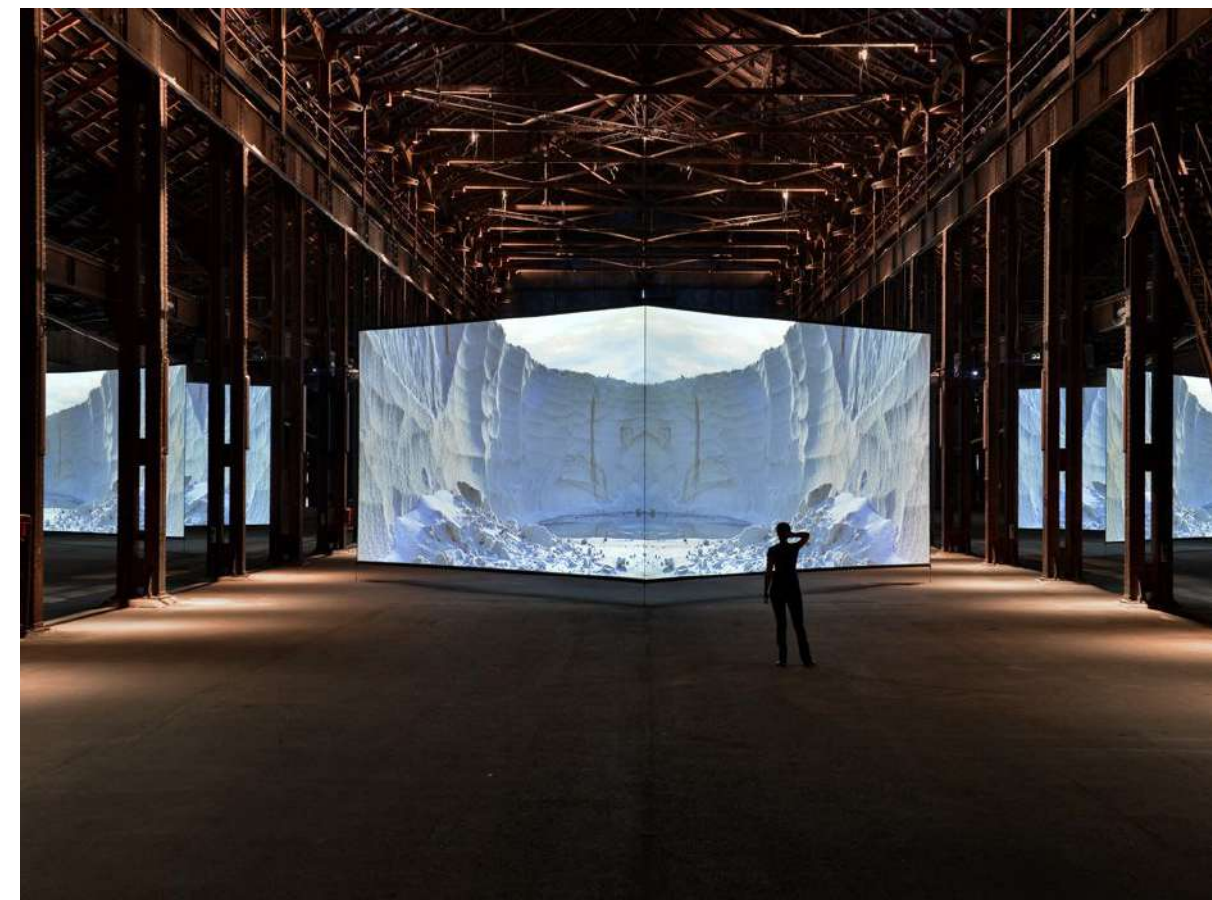
## Easy Installation



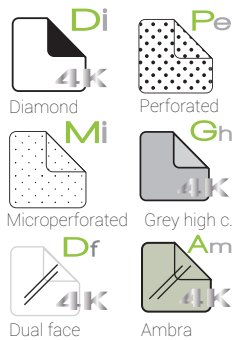
90°-270° hinge



## Versatile



### Fabrics:



Fast, smart, clean and so beautiful

The frame and the arrow border fabric grant the same qualities as New Big Frame. Fast and clean installation remains the absolute prerogative of this new screen even though its main quality is beauty. Simply white, perfectly flat and clean, it stands out for its elegance and harmony in any application, satisfying the requirements and tastes of the most demanding client.

Thanks to its robust frame, New Only White easily reaches remarkable sizes and shapes.



---

SCREEN LINE S.r.l.

38060 Besenello (TN) Via Nazionale, 1/n - 1/u | T.+39 0464 830003 | F. +39 0464 830500  
info@screenline.it | screenline.it