

Motorized screen of "polichinelle" kind.
The wrapping tube goes down thanks to two stainless steel belts.
Stainless steel cables with safety blocks at the two extremities.
Central motor with motion transmission through rotating axles.
TÜV certification.



Base from 700cm to 1200cm

Maximilian



THEATRE



WORSHIP



EDUCATIONAL

SCREENLINE

the screen makes the difference



Base from 700cm to 1200cm

- 16:9 21:9 16:10 4:3 custom

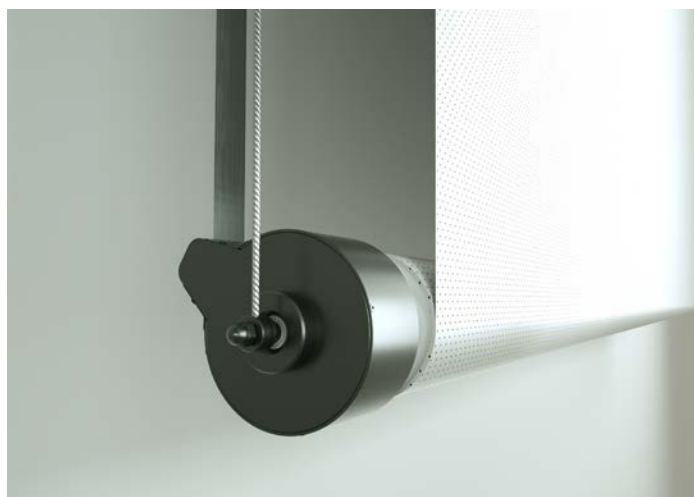
viewing area base	overall size
700	760x47x55
750	810x47x55
800	860x47x55
850	910x47x55
900	960x47x55
950	1010x47x55
1000	1060x47x55
1050	1110x47x55
1100	1160x47x55
1150	1210x47x55
1200	1260x47x55

Maximilian



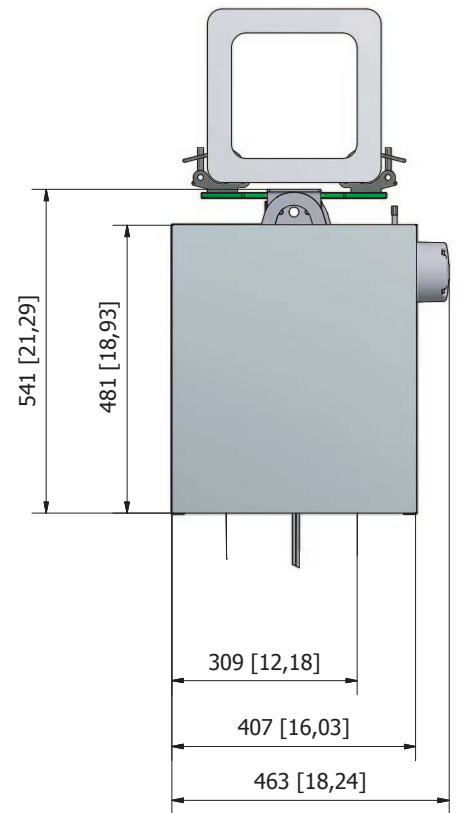
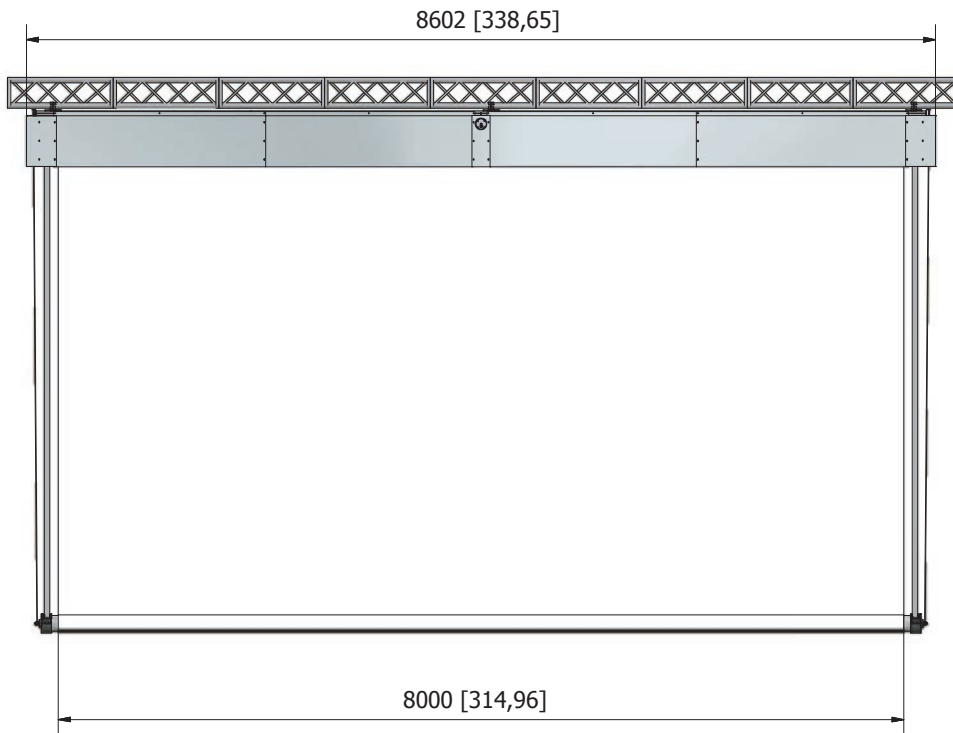
"Polichinelle" System

With "Polichinelle" system the wrapping tube goes down to the lower end stroke while unwrapping the projection fabric until it is completely open. The system uses two lateral cables to put the tube in motion. In our screen, the two cables are replaced by two stainless steel belts which, when wrapping up, avoid any possible overlapping or derailment. Compared to the previous versions, Maximilian also features two lateral stainless steel safety cables.



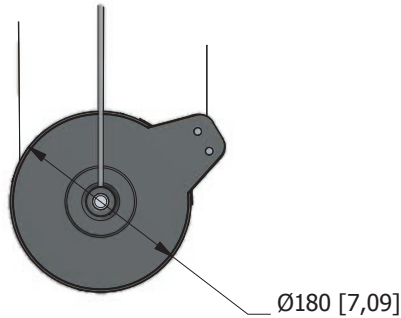
Fabric options:



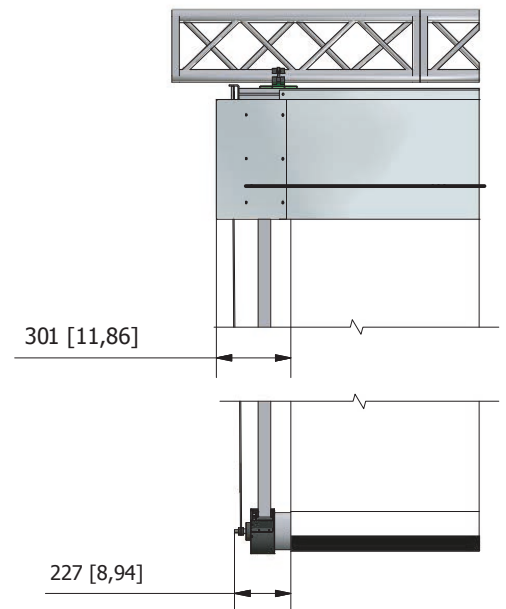


Motor

The motor that provides the movement is controlled by an electronic unit which determines its speed and also the start and finish acceleration-deceleration. It has three or more pre-determined positions and can be remotely controlled, in turn, through an RS485 port. It also features an obstacle detection system with automatic block of the fabric.



SPEED RUN: 0,25 m/s



Case

The laminated sheet box covers the structure and it is granted against corrosion and rust also in humid places such as crowded theatres which are normally filled with water vapour.

"TÜV" Certification

Two fall arrest systems at the extremities of the wrapping tube grant safety also in case of accidental cut of the fabric.

The motion transmission mechanism inside the motor, provided with angular worm gearbox, is fail-safe in case of black-out and can be activated also by hand using the crank handle supplied.

Each and every feature of the screen is designed to bear up to 20 times its own weight. For this reason, this screen has deserved the safety certification.



Installation

The aluminium supporting beam on the back of the screen holds four sliding plates which allow the installation of the screen with clamps, brackets and counter-brackets suitable for concrete, steel or wooden beams and available on request.

The screen may weigh over 300 kg in its biggest version. Due to its weight, chain winches for lifting installers up to the needed height are available for sale or rent. In the first case, they will also be used periodically for cleaning and maintenance.

Packaging

The screen is packed in a fir wood box and protected by several inner layers which keep it safe until destination and protect it from humidity and polluting agents.

