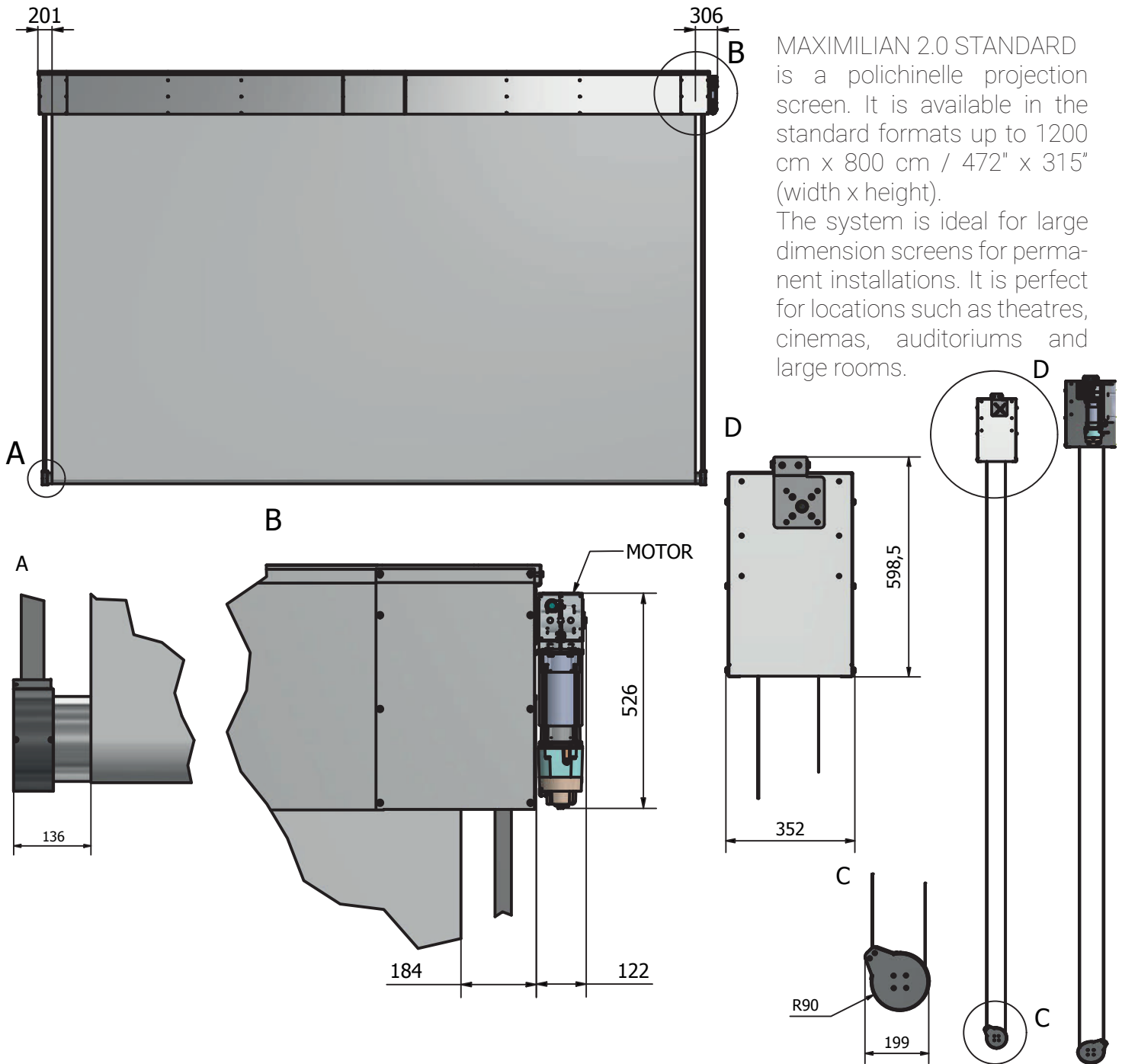


MAXIMILIAN 2.0 STANDARD

LARGE VENUE SCREEN FOR PERMANENT INSTALLATIONS



Specifications:

1. The metal frame of the screen is covered with an aluminium sheet which makes it resistant and rigid.
2. It features a new design 150 mm / 6" diameter aluminium tube with anti "roller shutter effect". (opp. awning effect a seconda del tipo di effetto sulla tela)
3. The mechanical assembly and the 2 steel rolled belts ensure perfect alignment when the screen wraps up and scrolls down.
4. The 230 V / 50 Hz / 3 – motor is equipped with electrical motor brake, fall arrest system and integrated inverters. This makes it possible to have only one cable which connects the control unit to the motor. Possibility to position the motor to the right or to the left of the screen.

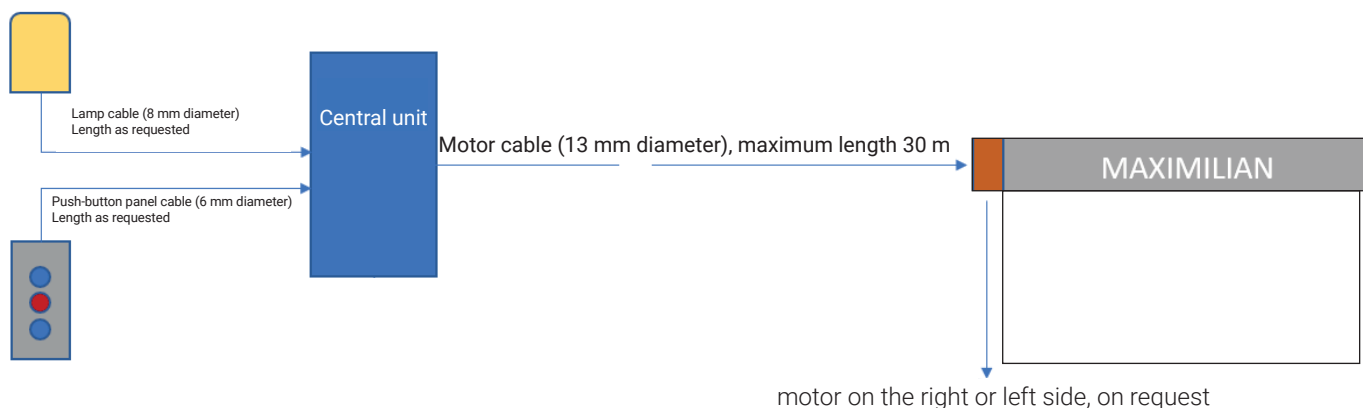
MAXIMILIAN 2.0 STANDARD

LARGE VENUE SCREEN FOR PERMANENT INSTALLATIONS

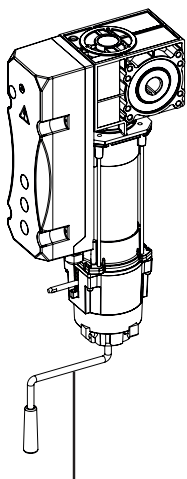
5. CONTROL UNIT: it is external with an integrated terminal connector. The 13 mm diameter motor cable is 30 m long and can be shorter on request.

The control unit is set to momentary switch. in this mode, closing the screen you have an intermediate stop point.

6. SPEED: approximately 0.48 m/s.



SOMMER GigaSpeed motor with 230 V inverter – Specifications



Equipped with hoist for manual handling

Output torque	65 Nm
Output speed	70-120 rpm
Motor performance	1 kW
Operating voltage	1 x AC 230 V
Frequency	50-60 Hz
Motor operating time	S3-60 %
Building fuse	10 Ampere (ritardato)
Protection class	IP54
Isolation class	F
Approximate weight	12,4 kg
Limit switch range	58

MAXIMILIAN 2.0 STANDARD

LARGE VENUE SCREEN FOR PERMANENT INSTALLATIONS

GIGAcontrol A control unit – Specifications



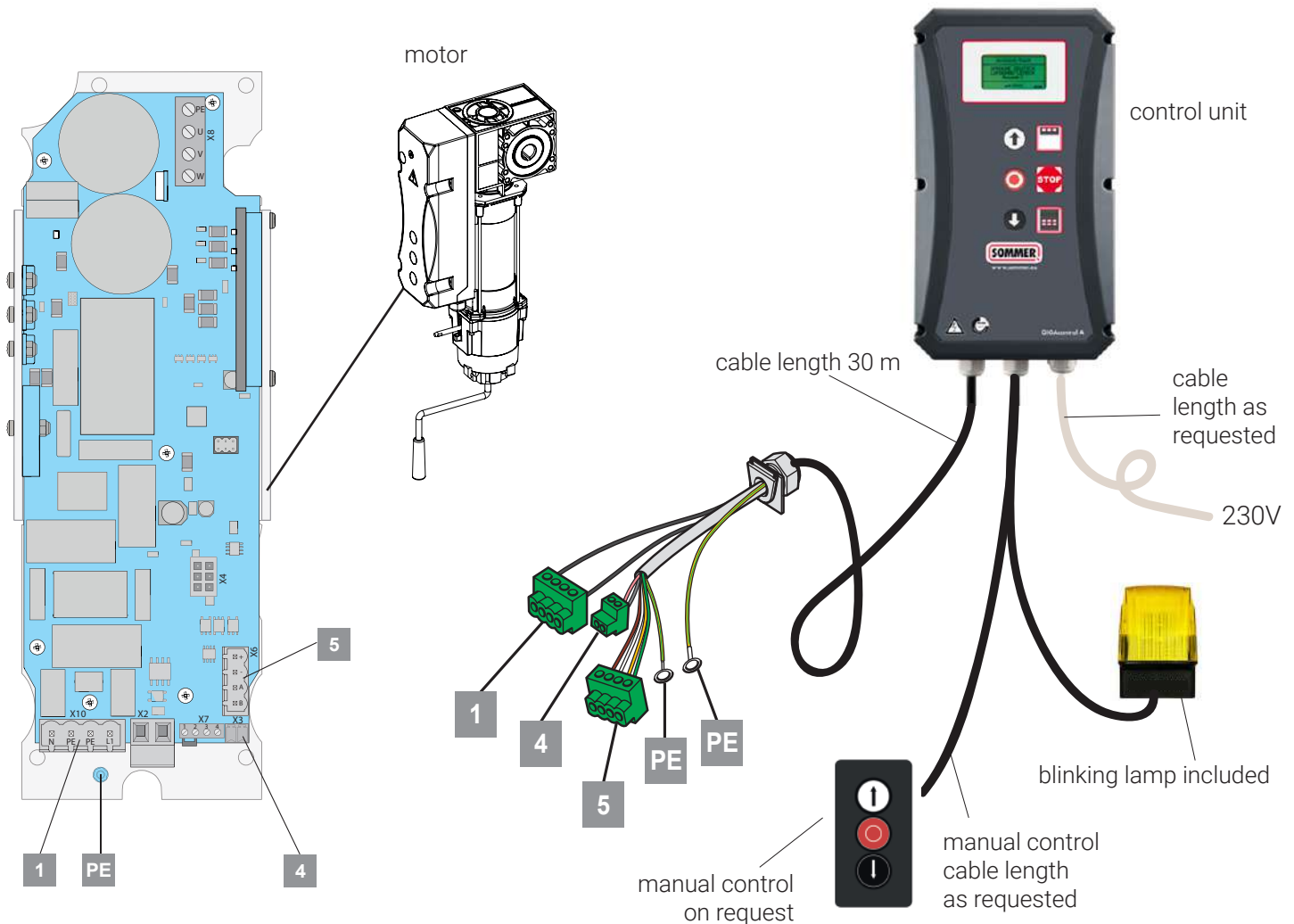
Wall control unit for Maximilian (included)
 Power supply: 230 V / 50 Hz / 60 Hz / 1Ph

Standard operations: UP-DOWN-STOP

Connecting cables from motor to standard control unit: 30 m, shorter sizes on request.

Size	350 x 200 x 135 mm (AxL x P)
Operating voltage	1 ~ 230V AC (+/- 10%) 50/60Hz
Control voltage	24 V DC maximum load 250mA 12 V DC maximum load 100mA
Control voltage protection	125 mA T
Connection power	1,5 kW/2 kVA maximum
Protection class	IP54

Motor-Control Unit connection:



MAXIMILIAN 2.0 STANDARD

LARGE VENUE SCREEN FOR PERMANENT INSTALLATIONS

Eyebolt brackets for assembly with winch hoisting.
3pieces ALWAYS INCLUDED*



height	10 mm
width	170 mm
depth	100 mm
weight	1,5 Kg

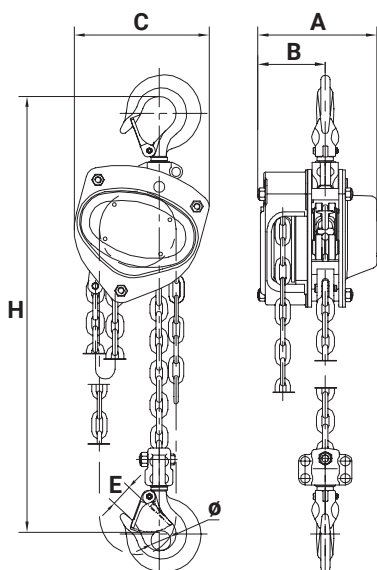
*to be used only and exclusively during installations when lifting the screen with manual or electrical winches.

Manual chain hoist. 3 pieces on request.*



- Compact, robust steel body
- Safe and reliable brake with safety jack
- Electrogalvanized load chain in accordance with EN 818-7 regulations
- Cart wheels on bearings
- Anti-derailing brackets
- Rubber buffers

*3 anchor points and 3 winches are always needed for lifting the screen.

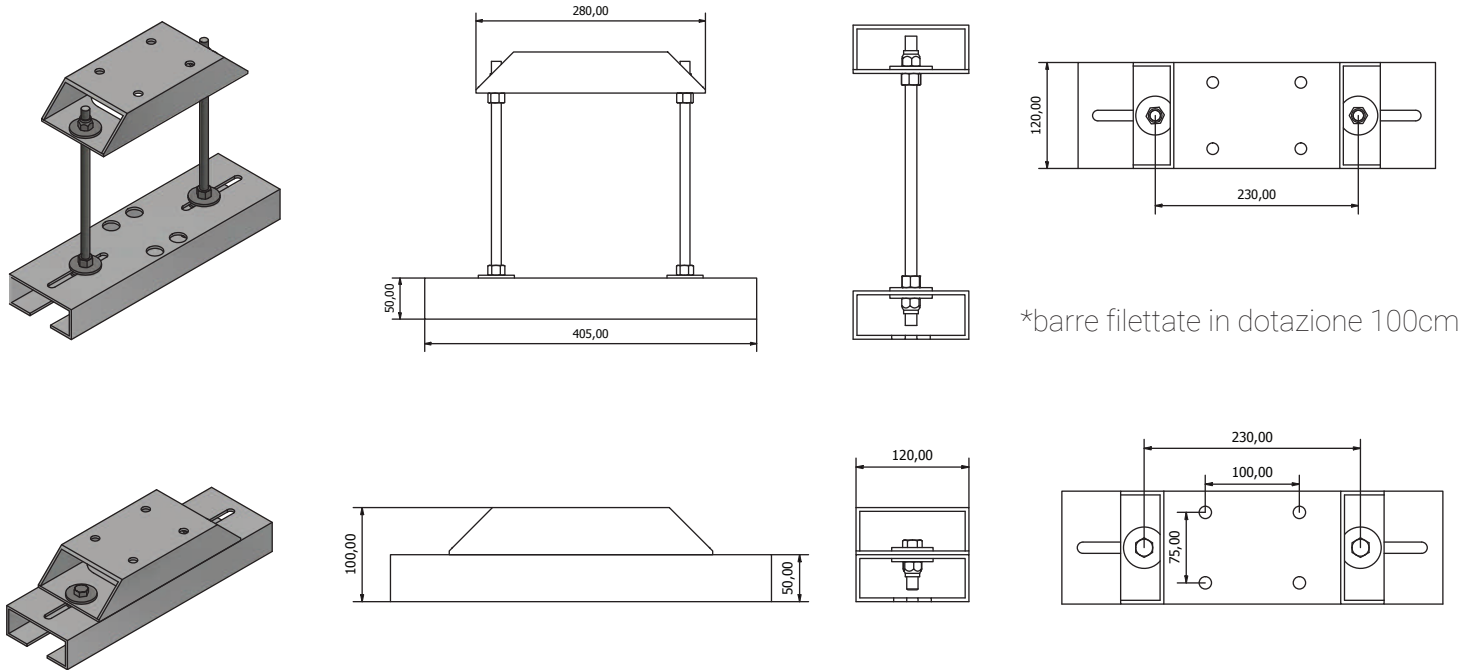


Technical Data		FH 5
Max load	ton	0,5
Standard lifting height	m	3
Number of hoist falls	n	1
Pull on hand chain	Kgf	25
Load chain	mm	5x15
A	mm	128
B	mm	75
C	mm	130
Ø	mm	20
E	mm	22
H min	mm	280
Weight for standard lift height	kg	8,9

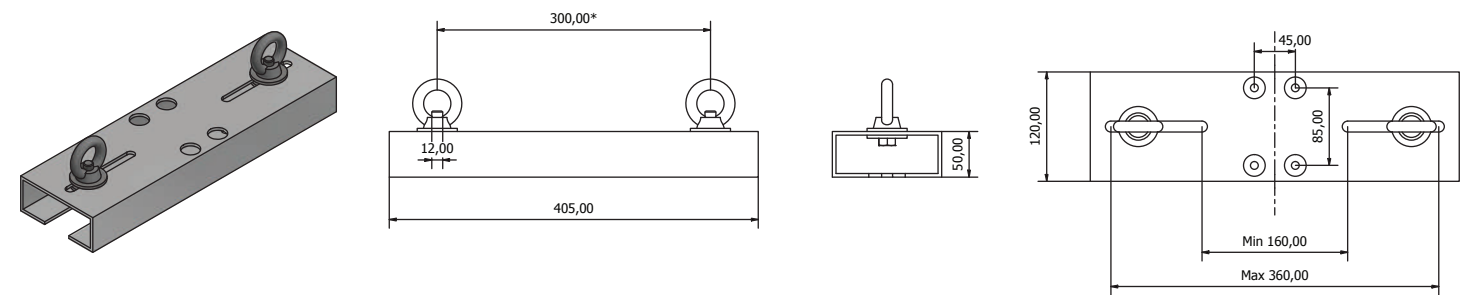
MAXIMILIAN 2.0 STANDARD

LARGE VENUE SCREEN FOR PERMANENT INSTALLATIONS

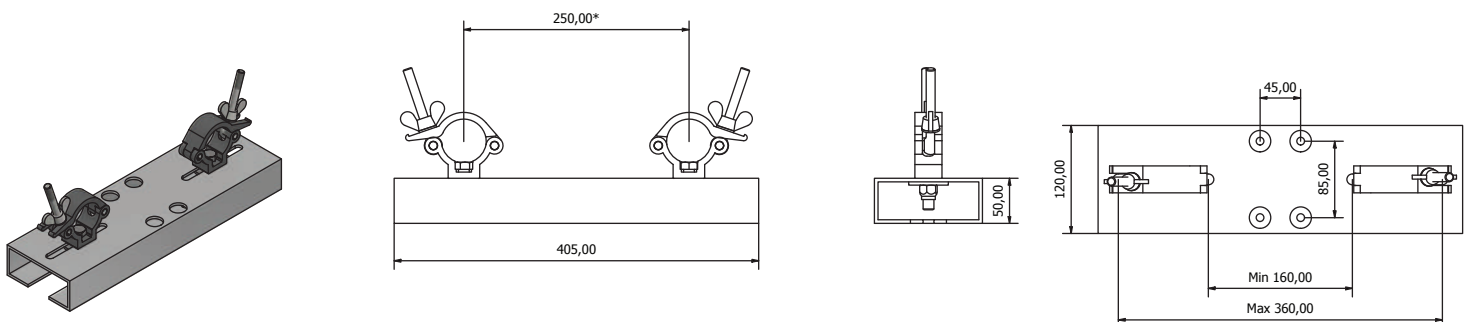
Brackets for permanent ceiling installations: 3 pieces on request.



Brackets for permanent installations with winches or chains: 3 pieces on request.



Brackets for box truss installations. 3 pieces on request.



MAXIMILIAN 2.0 STANDARD

LARGE VENUE SCREEN FOR PERMANENT INSTALLATIONS

Remote controls:



IP65 3-way manual control

OPEN-STOP-CLOSED
Cable length as requested.



2-channel RF wall remote control

- Battery powered – easy installation
- Improved signal range and higher reliability thanks to the Hop function which allows an active relay of the signal via SOMloq receivers



Radio control	SOMloq2
Radio controls	2
Frequency	FM 868,8 MHz, FM 868,95 MHz
Signal range	ca. 50 m
Size	79 x 26 x 13 mm
Size	60 x 57 x 13 mm
Power supply	DC 5 V o DC 8 - 18 V



RF Remote control

Radio controls	SOMloq2
Radio controls	2
Frequency	FM 868,8 MHz, FM 868,95 MHz
Signal range	ca. 50 - 140 m
Battery	3 V, tipo CR 2032
Size	79 x 26 x 13 mm



Size	60 x 57 x 13 mm
Power supply	DC 5 V o DC 8 - 18 V