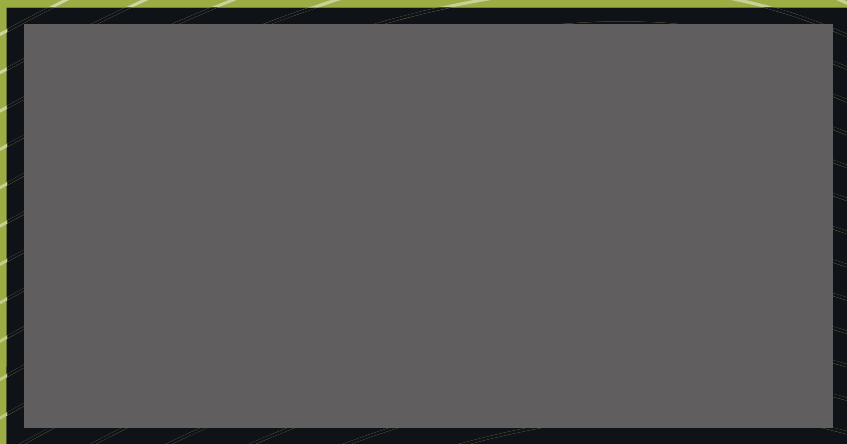


# CLR SCREEN

---

## Istruzioni



# 1.0 Parts

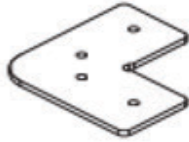
---



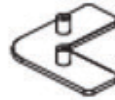
Inner Framen  
X 6



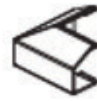
Outer Frame  
x6



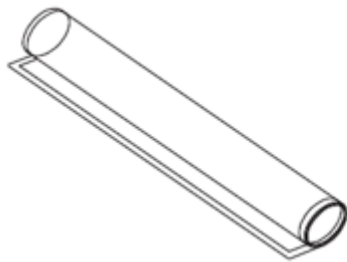
Corner connector /  
X 4



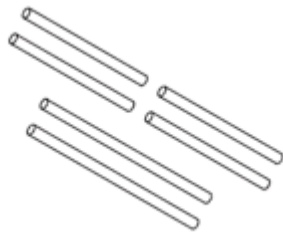
Corner Connector /  
X 4



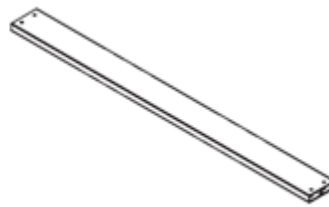
Corner Protection /  
X 4



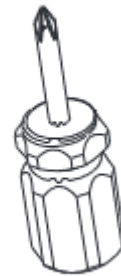
Screen /  
X 1



Fiber glass strip  
X 6



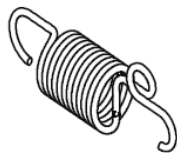
Support rod  
X 1  
(optional)



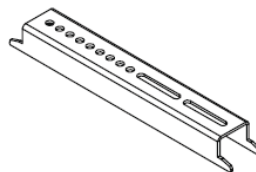
Screw drivet  
X 1



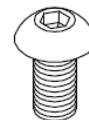
Pull hook  
X 1



Tension Spring  
X N



Top hang piece X 2



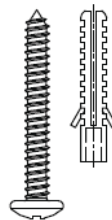
M5 x 5 Pan hat screws / M  
X 16



Gloves /  
X 1



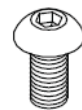
User Manual X 1



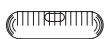
Expansion Screws  
X 8



Bottom hang piece  
X 2



M4 x 8 Screws  
X 24



Level Ruler x 1

## 2.0 Precautions

---

2.1 To ensure the projection effect and quality of this product, please observe the following operating requirements.

2.2 When assembling, find a suitable size floor or table. The surface must be clean and free of any obstacles. The floor or table must be covered with clean materials such as cloth, film, blankets, etc.

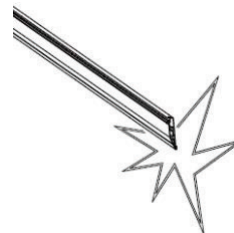
2.3 Handle with care during installation to Prevent personal injury or property damage.

2.4 Do not touch the surface of the projection screen with your hand.

2.5 Do not touch the projection surface with sharp or hard objects to prevent damage to the screen material. Don't write or draw on the screen.

2.6 Keep children away from the screen to prevent accidents.

2.7 The surface of the screen must be cleaned and treated regularly, and it is recommended to take care of it once every two weeks. Please use a soft cotton cloth to gently wipe (dip some water), and it is not advisable to use any chemical cleaners or alcohol.

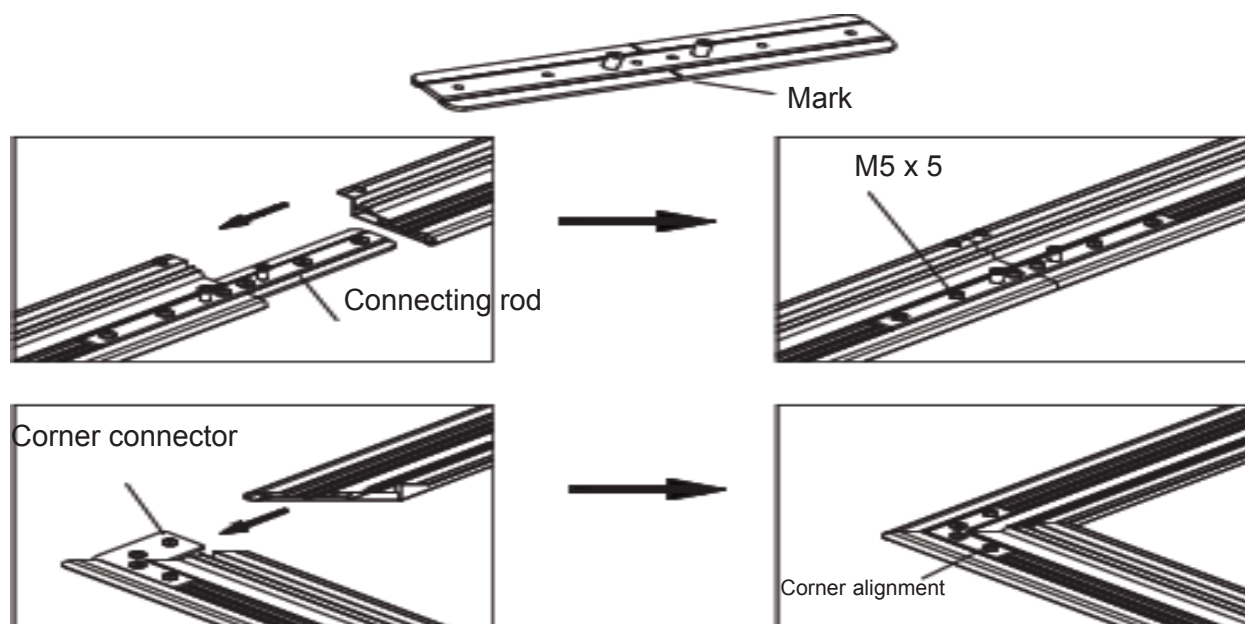


## 3.0 Assemble the frame

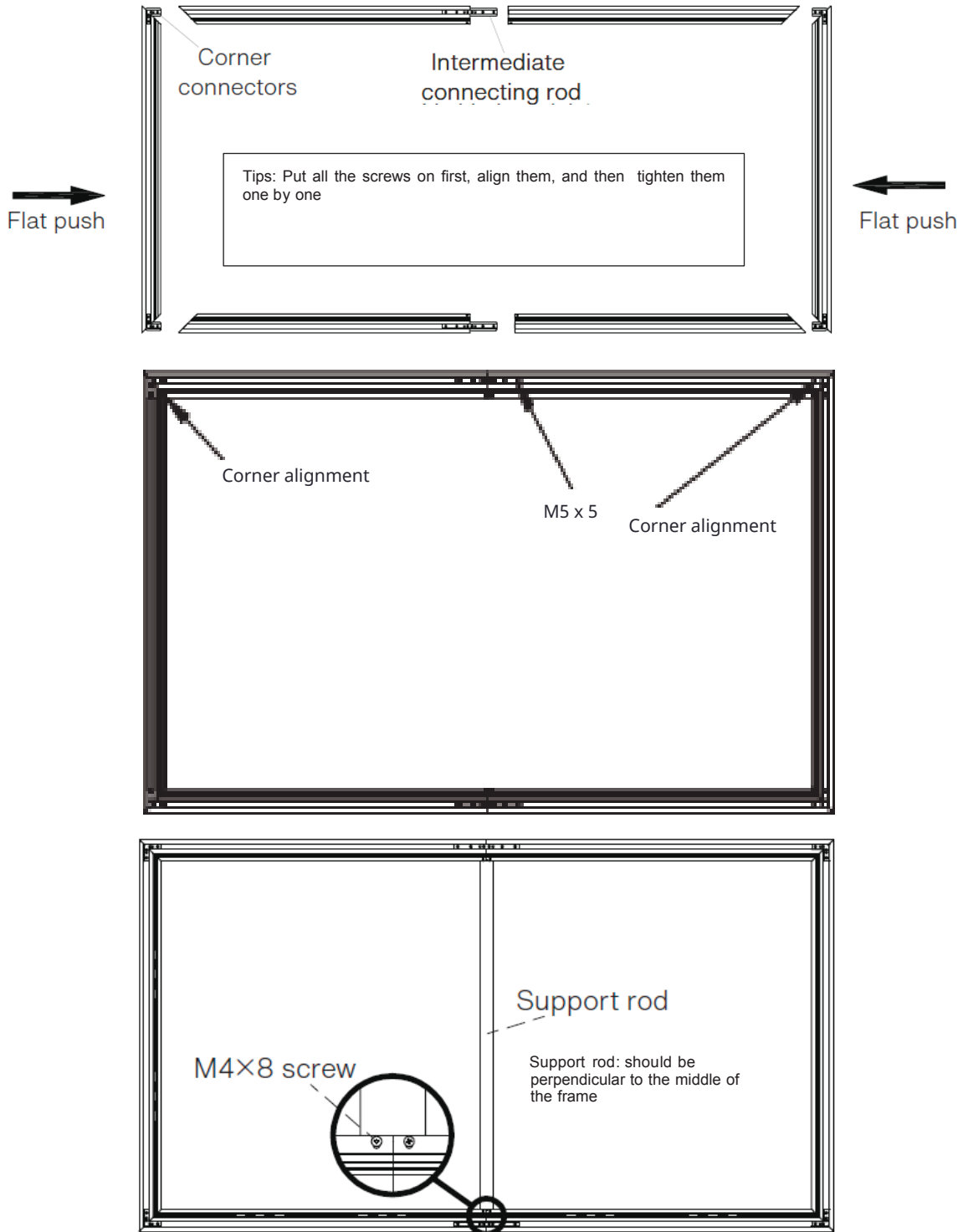
---

3.1 Open the packaging box and categorize and arrange the components properly, and cross-reference the quantities with the "1.0 Parts" checklist.

3.2 The horizontal frame is a segmented splicing type, and the two horizontal inner frames are spliced correspondingly as shown in the figure (Note: There is a mark in the middle of the connecting rod of the inner frame, and the splicing position must be guaranteed to be at the mark).



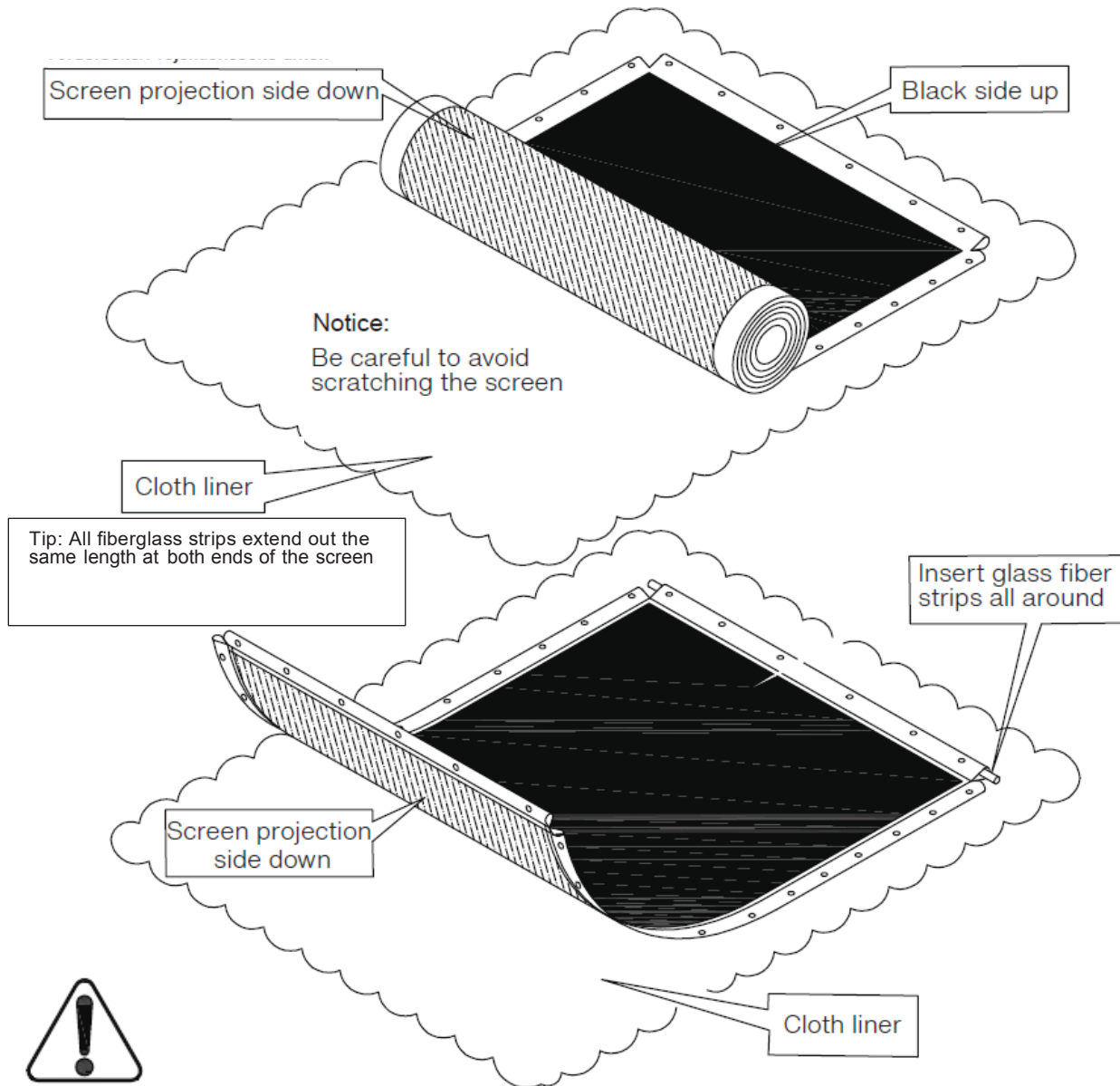
- 3.3 Insert the four corners into the vertical inner frame first, as shown in the figure.
- 3.4 Assemble the horizontal and vertical inner frames according to the picture below. After assembling the inner frames, lock the corners with M5X5 screws, then install support rod.



## 4.0 Assemble the screen

4.1 Wear gloves (to avoid fingerprints on the screen that cannot be erased). Lay a clean cloth on a flat, clean level countertop (or floor) that won't hurt the screen.

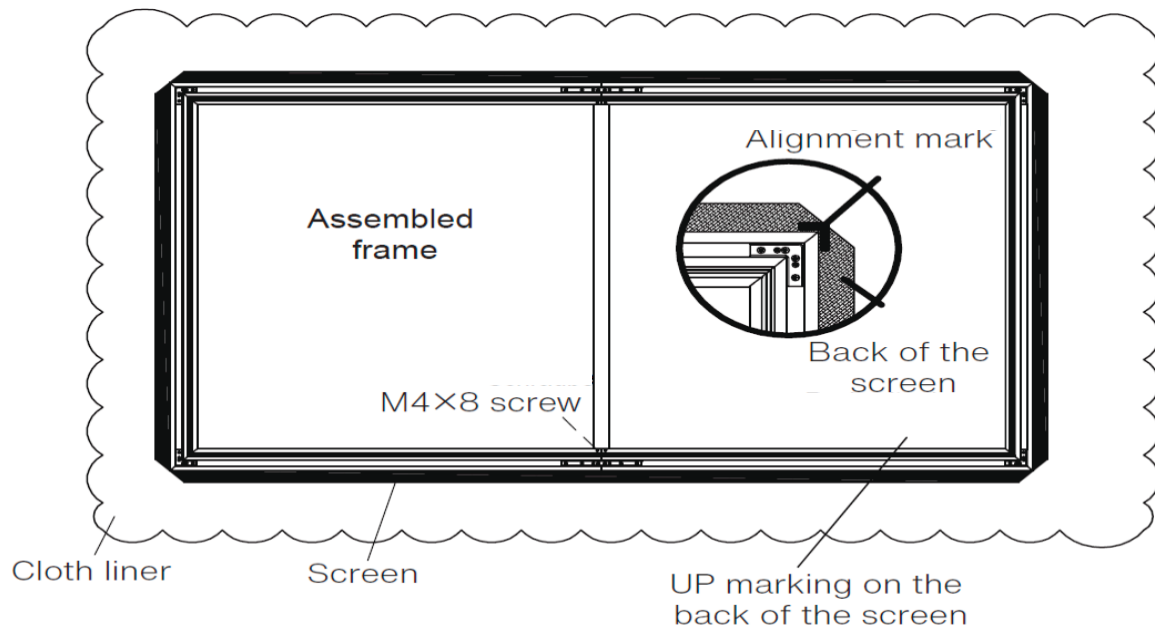
4.2 Take out the screen from the package, put the screen face down, to unfold the curtain roll, spread it flat on the cloth on the table, and then insert the glass fiber strips around the screen according to the length as shown below.



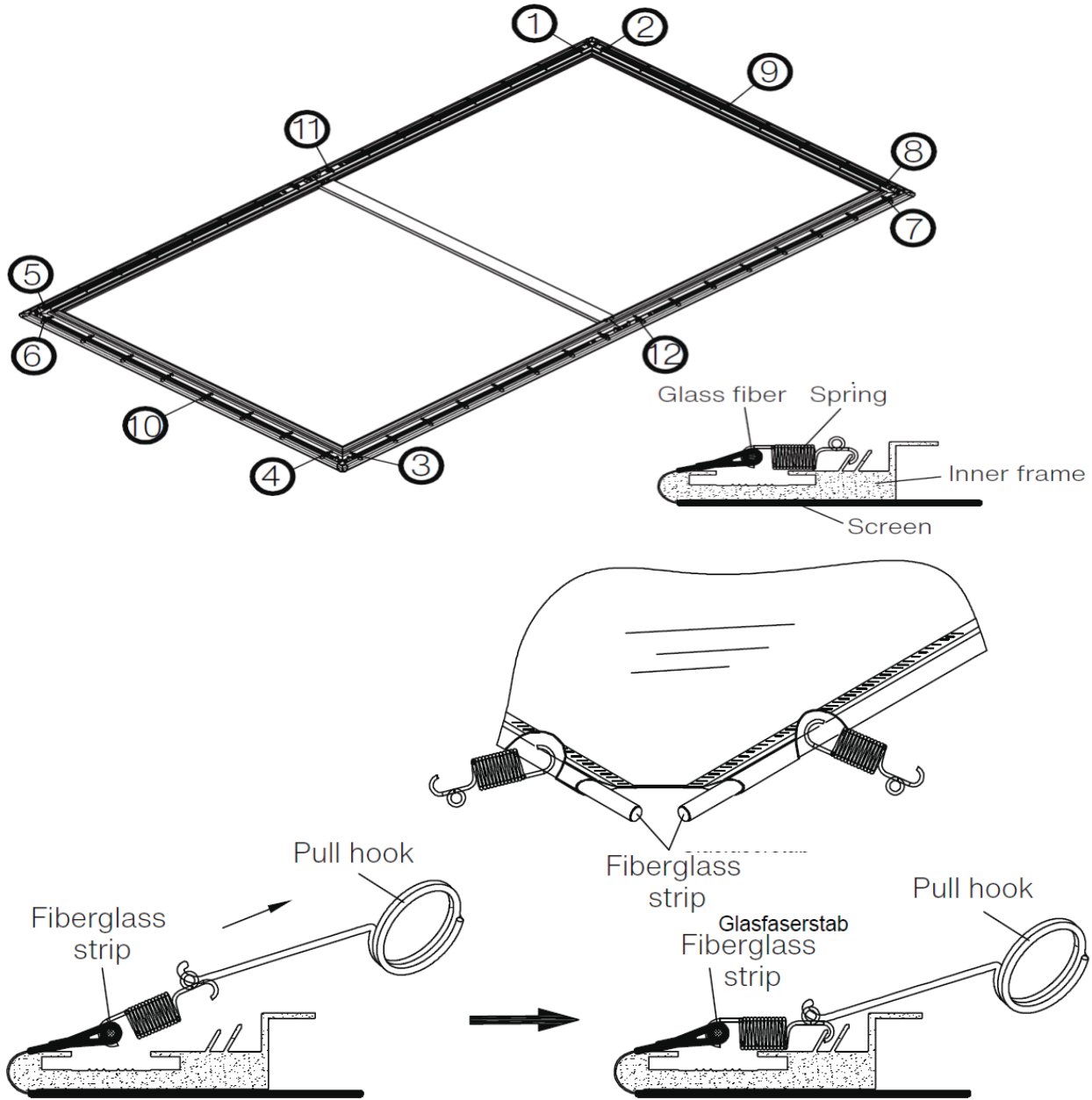
### Important Note:

If it is an ultra-short throw ambient light rejecting screen, please cooperate with two people during assembly, avoid screen folding or hard object friction impact action.

4.3 Place the assembled frame on the screen. Note: This projector screen has up and down directions. The screen should match the direction of the frame. Place the frame at the marking on the four corners of the backside of the screen and adjust the position of the frame.



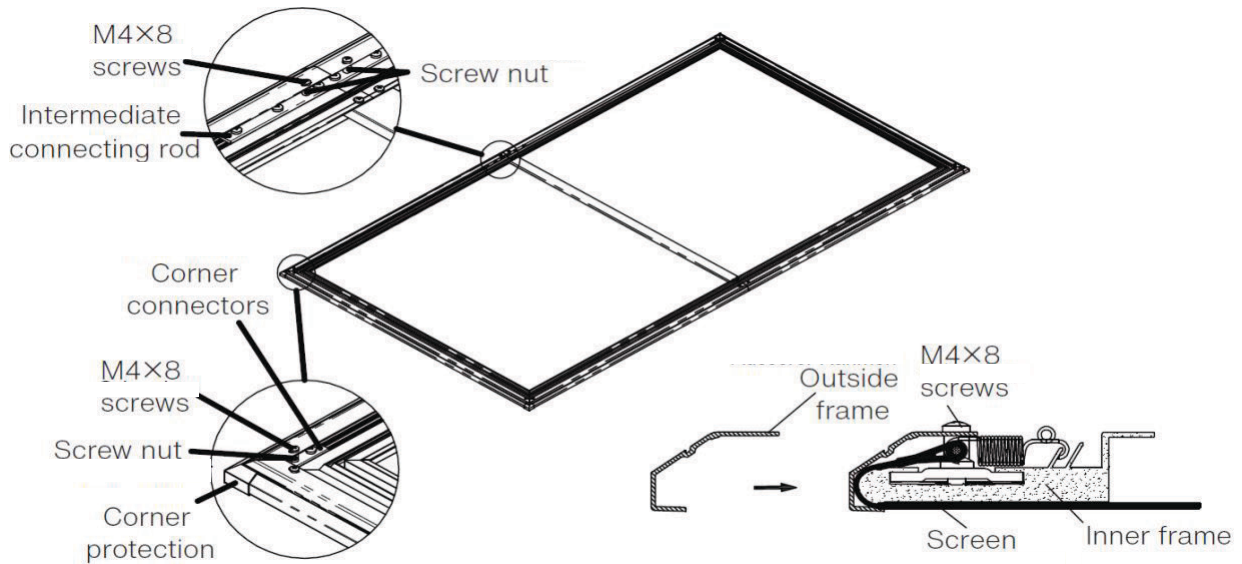
4.4 Hook the screen on the frame with a tension spring. To hook the tension spring, please follow the following sequence, first, hook 1~8 springs; then hook springs 9~12, and then hook other springs from the middle spring to both sides in turn. Please refer to the attached drawing next page for the installation method of the tension spring.



4.5 After hanging the spring, stand the screen up and check the overall flatness of the screen. If there is unevenness, the spring needs to be adjusted locally until it is level.  
 4.6 is restored to the position of 4.4, ready to install the frame.

### 5.0 Outer Frame Installation

- 5.1 Place the outer frame against the frame screen, align the four corners, and lock the inner and outer frames with M4×8 screws.
- 5.2 Adjust the outer frame at the corner to the smallest gap, and then tighten the screws. Lock the corners one by one according to this method, and finally deal with the splicing of the horizontal outer frame (if the gap is found to be too large, you can push the left and right outer frames inward)
- 5.3 Install the corner protection at the four corners of the screen.



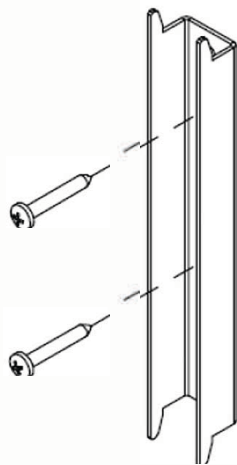
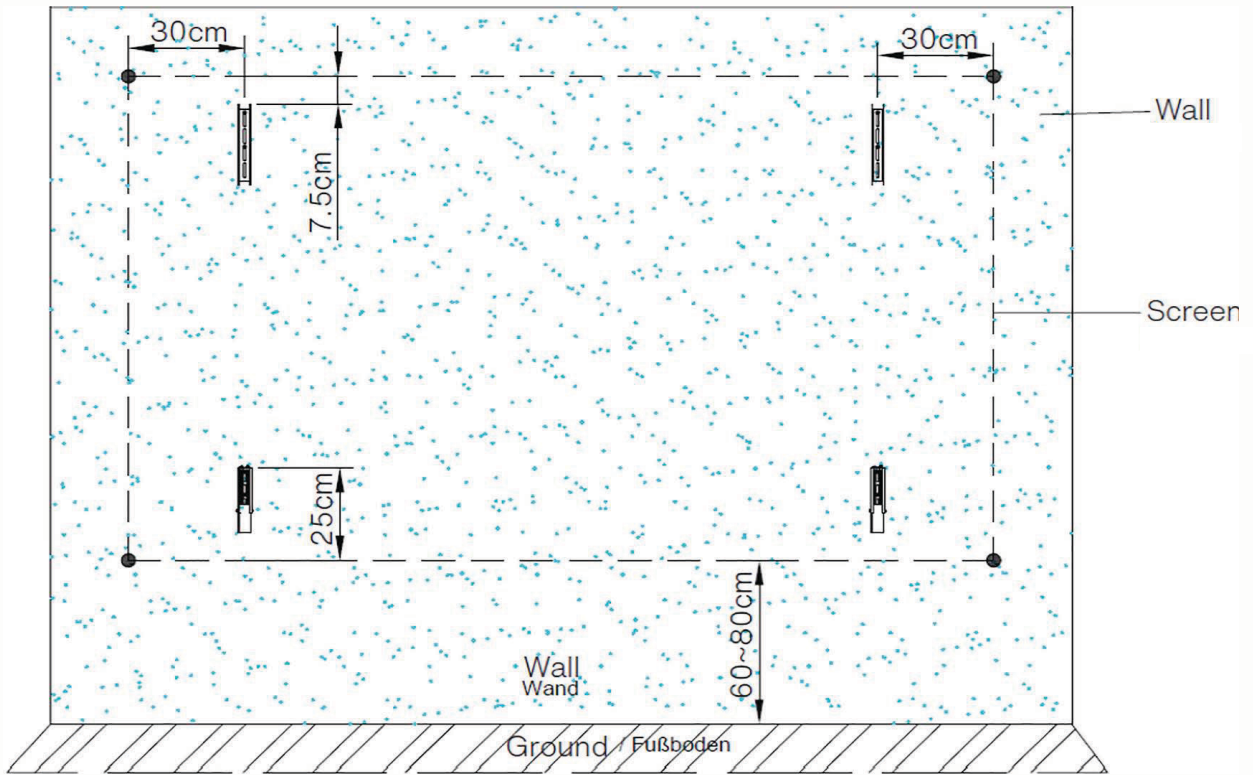
## 6.0 Screen Installation

6.1 First confirm the upper and under wall bracket and the installation direction

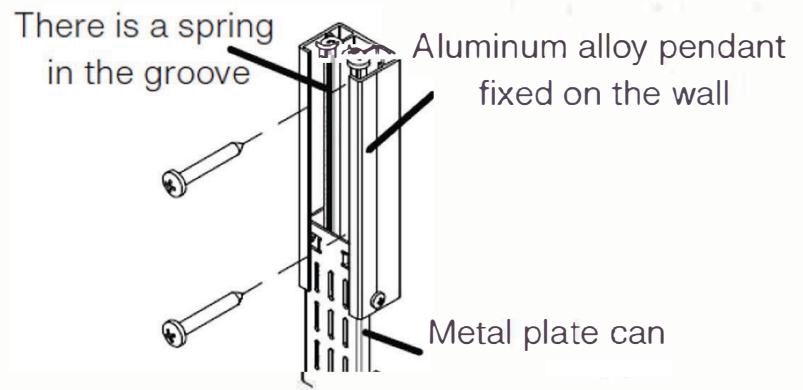
6.2 Install wall hangers on the wall according to screen size. Required tools: level, hammer, drill, pencil, ladder, etc. As shown below, the horizontal direction is about 30cm away from both sides of the screen. Please estimate the installation position of the screen before installing the wall pendants. The height of the lower edge of the screen from the ground is generally, about 600 to 800mm.

6.3 Hang the screen on the wall as illustrated.

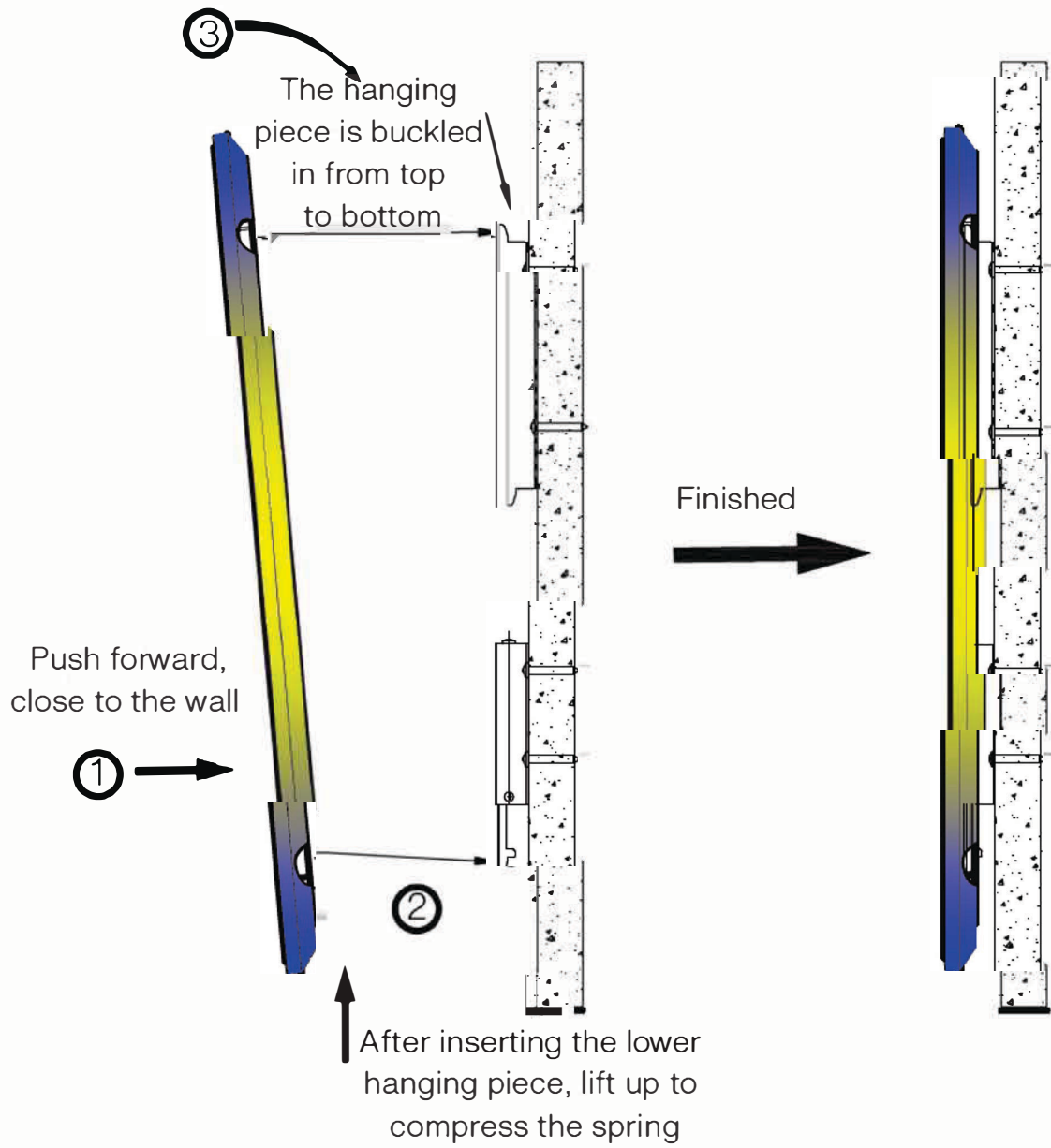




Top hanging piece fixed



Unde







# SCREENLINE

the screen makes the difference

38060 Besenello (TN) Via Nazionale, 1/n - 1/u | +39 0464830003 | +39 0464830003  
info@screenline.it | screenline.it